



FLAME SENSOR

FS-2000E



FLAME DETECTION AT 33ft. (10m) AHEAD !
PROTECTION AREA ADJUSTMENT ENABLES INSTALLATION EASY,
AND MANY FUNCTIONS FOR PROFESSIONALS ARE AVAILABLE !
 Flame sensor FS-2000E quickly detects ultraviolet rays contained in flames and activates a built-in alarm sound plus an external output. Power is to be wired to 10 ~ 30VDC.

OPERATION SET-UP BY DETECTION TIMER

The alarm will be activated only when the sensor detects a flame (ultraviolet rays) in accordance with the detection timer. The 4 following detection times are selectable by a slide switch located on the sensor body.

<0.2 sec., 1 sec., 6 sec., 30 sec.,>

OTHER FUNCTIONS

- * The internal alarm sounder output is greater than 80dB at 3.3ft.(1m) in front of the sensor, and it can be turned off.
- * Equipped with Tamper output.

FORM C EXTERNAL OUTPUT

Equipped with a Form C output, FS-2000E can be connected to a Fire / Security control panel.

Also the output signal can be used to initiate a warning device, CCTV surveillance as a part of advanced security system.

ALARM MEMORY

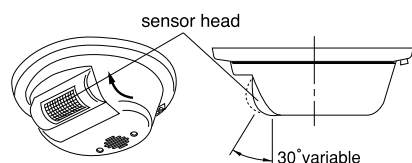
Which sensor is activated can be easily identified by Alarm memory indication.

Memory LED on the sensor body blinks for 3 min. and lights on for 47 min. after alarm activation.

PROTECTION AREA ADJUSTMENT

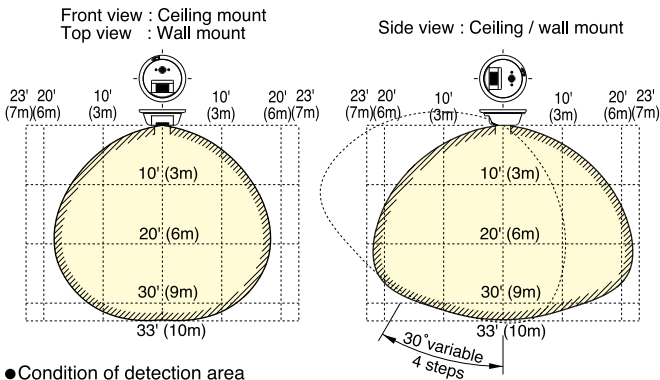
Compact design (φ 120mm) enables FS-2000E to be installed at any location. Easy separation of the sensor unit from the base simplifies installation and maintenance.

In addition, equipped with Protection area adjustment, wide selections of protection area setting are available.



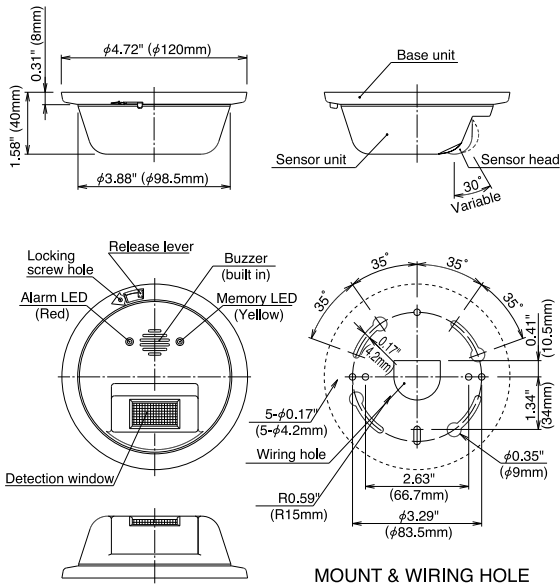
FLAME SENSOR

DETECTION AREA



- Condition of detection area
Detection timer : 0.2sec.
Origin of flame : Gas lighter
Size of flame : Approx. 2.75" (7cm)

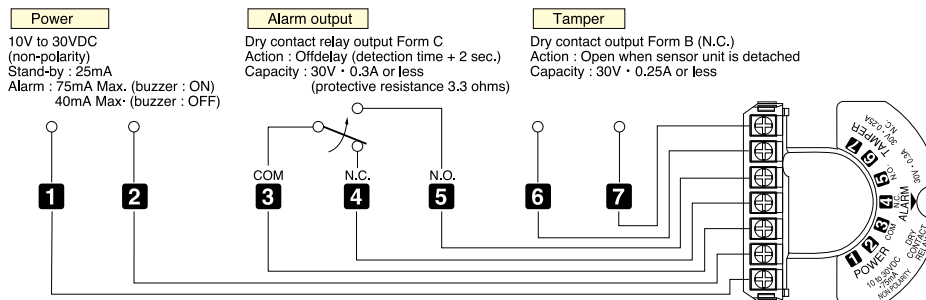
EXTERNAL DIMENSIONS (Unit : inch(mm))



SPECIFICATIONS

Product name	Flame sensor	
Model	FS-2000E	
Detection system	Ultraviolet rays detection (Detected wave length 185 to 260nm)	
Detection area	Distance	33ft.(10m) [2.75" (7cm) lighter flame, in front]
	Angle	Approx. 120°conically
	Adjustment range	Horizontal 25°..... by base unit Vertical 30° (4 steps) by sensor head
Sensitivity adjustment	Detection timer 4 steps (0.2 sec., 1 sec., 6 sec and 30 sec.)	
Power supply	10V to 30VDC (non-polarity)	
Power consumption	Stand by : 25mA or less Alarm : 75mA or less (alarm sound ON) 40mA or less (alarm sound OFF)	
Alarm output	Dry contact relay Form C (alarm : open / close) Contact action : off-delay (approx. 2 sec.) Contact capacity : 30V(AC/DC)0.3A, protective resistance 3.3 ohms	
Alarm memory	Auto-reset operation (on/off setting available) Memory LED blinks for 3 min. then lights on for 47 min.	
LED	Alarm LED (red) : light on for off-delay 10 sec. Memory LED (yellow) : light on when memory indicated, blink when power turned on	
Alarm sound (buzzer)	Alarm : Sounds intermittently every 0.2 sec. during off-delay 10 sec. Volume : 80dB or more at 3.3ft (1m) ahead (silent setting is available)	
Temper output	Dry contact relay Form B (N.C.) Action : open when cover is detached Capacity : 30V (AC/DC) 0.1A	
Wiring	Terminals	
Ambient temp. range	+14F to +140F (-10°C to +60°C) without condensation and freeze	
Installation	Indoor (ceiling or wall mount)	
Weight	Approx. 5.3oz (150g)	
Appearance	ABS resin (white)	
Accessories	● Tapping screw $\phi 4 \times 25.2$ pcs. ● Sensor locking screw $\phi 3 \times 6.1$ pce.	
Optional	Celling mount attachment [BCW-401]	

TERMINAL ARRANGEMENT



Please Note : This sensor is designed to detect intrusion and to initiate an alarm; it is not a burglary or a crime preventing device. TAKEX is not responsible for damage, injury or losses caused by accident, theft, Acts of God (including inductive surge by lighting), abuse, misuse, abnormal usage, faulty installation or improper maintenance.

TAKEX

In Japan

Takenaka Engineering Co., Ltd.
83-1, Gojo-sotokan,
Higashino, Yamashina-ku,
Kyoto 607-8156, Japan
Tel : 81-75-501-6651
Fax : 81-75-593-3816
<http://www.takex-eng.co.jp>

In the U.S.

Takex America Inc.
1330, Orleans Drive
Sunnyvale,
CA 94086, U.S.A.
Tel : 408-747-0100
Fax : 408-734-1100
<http://www.takex.com>

In Australia

Takex America Inc.
Unit 16/35 Garden Road,
Clayton 3168 Victoria,
Australia
Tel : 03-9546-0533
Fax : 03-9547-9450

Takex America Inc.
Brisbane office : 1/50 Logan
Road, Woolloongabba
Queensland
4102, Australia
Tel : 07-3891-3344
Fax : 07-3891-3355

In the U.K.

Takex Europe Ltd.
Takex House, Aviary Court,
Wade Road, Basingstoke,
Hampshire, RG24 8PE, U.K.
Tel : (+44) 01256-475555
Fax : (+44) 01256-466268
<http://www.takexeurope.com>